



3 D Lee Moor Business Park
Rennington, Alnwick
NE66 3RL

Tel 01665577022
Fax 01665577901

MOBILITY SCOOTER SHELTER

Product Name: LARGE MOBILITY SCOOTER SHELTER

Product Code: USP/MOBSC/LARGE

Size: 3500 mm Long x 2040 mm Wide x 2100 mm High

Description: 4+ Scooter Storage Shelter

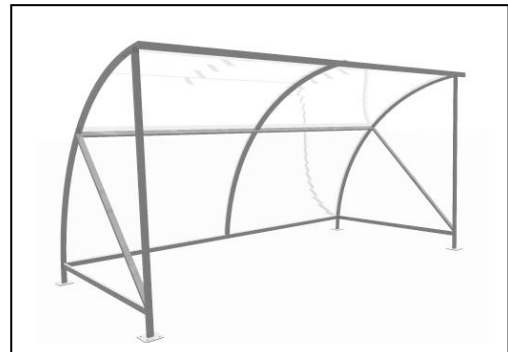
Price: £ 859.00 plus Vat

Total Price including Vat £ 1030.80

Side Panels option Kit £ 252.00 plus Vat Total for side panel kit including vat £ 302.40

LEAD TIME EX STOCK 4 TO 5 DAYS

Carriage: Free UK Mainland delivery (other destinations please telephone for a quote)



Product information: The Mobility Scooter Shelters are made with a mild steel frame and are Plate Mounted Bolt down. The Mobility Scooter Shelter is very easy to assemble and is delivered flat pack. The Mobility Scooter Shelter is lightweight yet robust and being galvanised will give maximum protection from rust for many years. This is a full size shelter and will comfortably accommodate 4 Mobility Scooters. The assembly is very straight forward. The shelters are available in Galvanised finish however if you want a painted shelter, simply assemble the frame and paint it to the desired colour (leave it to dry) and then fit the sheeting. To hand paint a shelter will only take about 45 minutes. We can if you wish have the shelter powder coated in any standard RAL colour please let us know and we can give you details for the extra charge.

IDEAL FOR SHELTERED HOUSING AND MULTI OCCUPATION BUILDINGS

The Mobility Scooter Shelter is supplied with PET Clear view back panels giving a light area to store your Scooter, while at the same time ensuring that users have all round visibility, in addition for user's security cameras can be trained on the shelter for additional peace of mind.

Charging points can be fitted by qualified electrician so that while the Mobility Scooters are being stored they can be recharged. Given the open nature of the shelter and the fact that it is outside very little risk of fire hazard exists.

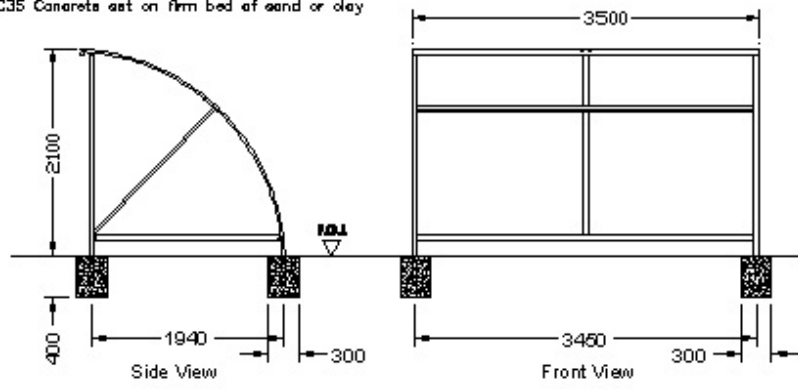
The Scooter Shelters are ideally located in a secure area near accommodation or at the front reception area of sheltered housing schemes.

They can also be fitted with benches and seats to offer a pleasant covered shelter area to meet and greet.

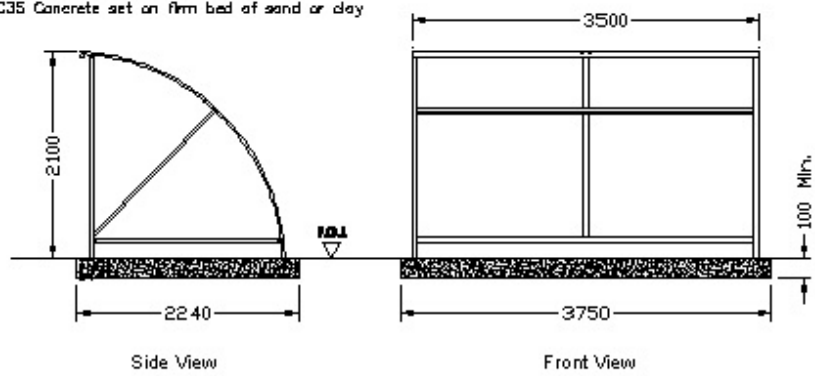
Seating can be added to the shelter you can view our range of seats and benches on our website <http://www.urbanfab.com/products.php?p=59&type=Seating>

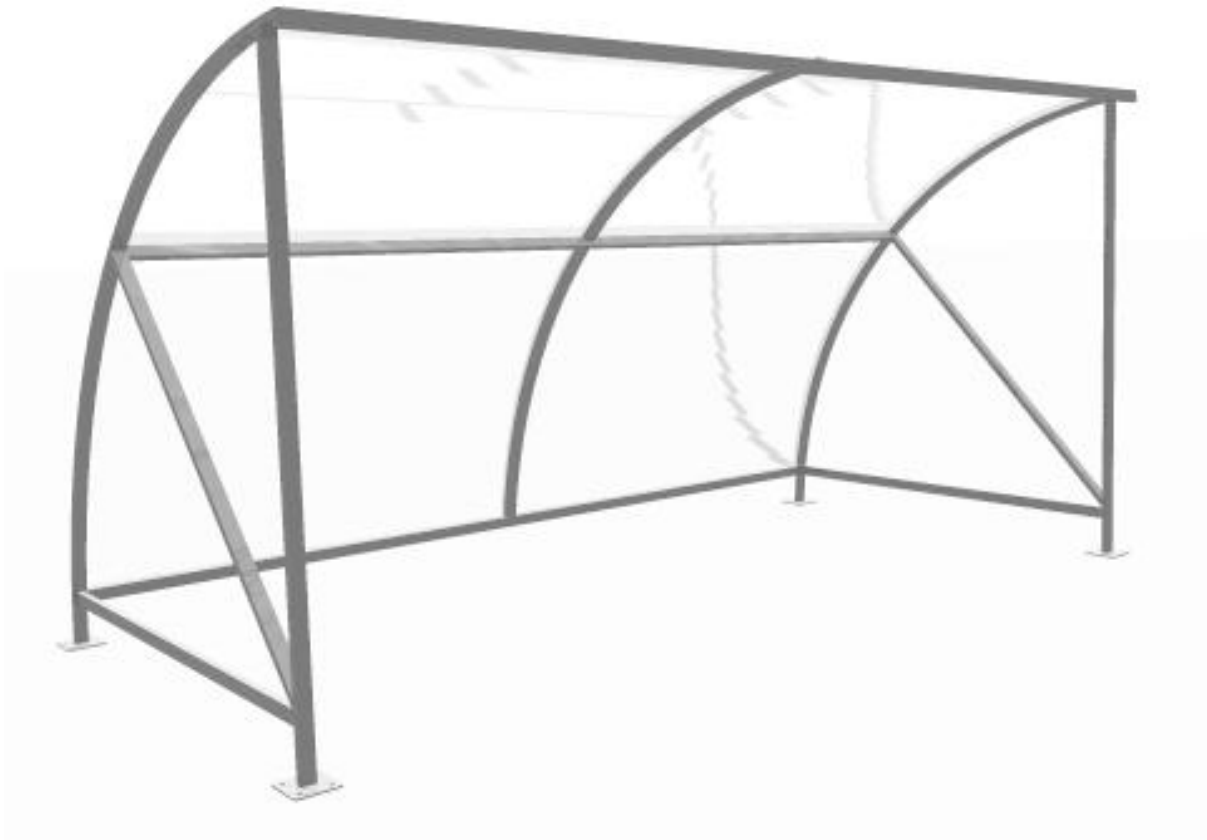
To order this product please telephone 01665577022 or email sales@urbanfab.com. We will need to know the delivery address including post code and how soon you want delivery. The shelter is manufactured in large sections however assembly is a straight forward two person job.

Pads Foundations:
C35 Concrete set on firm bed of sand or clay



Plinth Foundations:
C35 Concrete set on firm bed of sand or clay





Product Code USP/MOBSC/LARGE

