



Unit 12 C  
Victoria Road Ind Estate  
Hebburn  
Tyne and Wear  
NE31 1UB

Tel 01665 577022  
Tel 0191 5343211  
Email: sales@urbanfab.com

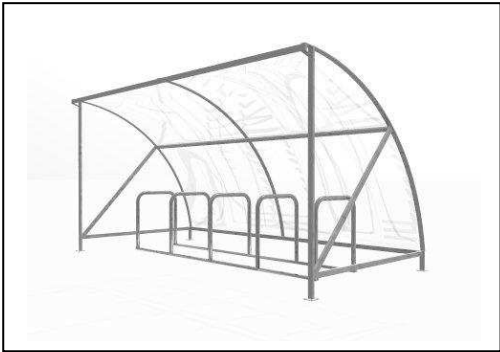
**ECO CYCLE SHELTER RANGE**

**Product Name: Eco Cycle Shelter and Rack**

**Product Code: USP/ES10/5HR**

**Size: 3500 mm Long x 2040 mm Wide x 2100 mm High**

**Description: 10 Cycle Capacity Shelter**



**SHELTER COST**  
  
Shelter Price: £ 745.00 plus Vat  
  
Shelter Total Price including Vat  
**£ 894.00**

**RACK COST**  
  
5 Hoop Toast Rack £ 175.00 plus  
Vat  
  
Total for toast rack Cost including  
Vat  
  
**£ 210.00**

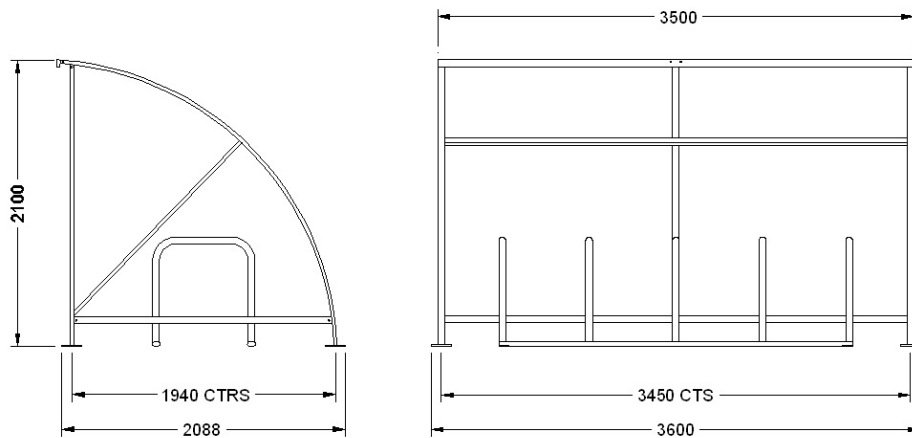
**Side panel cost**  
  
2 No fabricated panels £ 252.00  
  
Total for side panels including  
Vat  
  
**£ 302.40**

**LEAD TIME EX STOCK 4 TO 5 DAYS**

**Carriage: Free UK Mainland delivery** (other destinations please telephone for a quote)

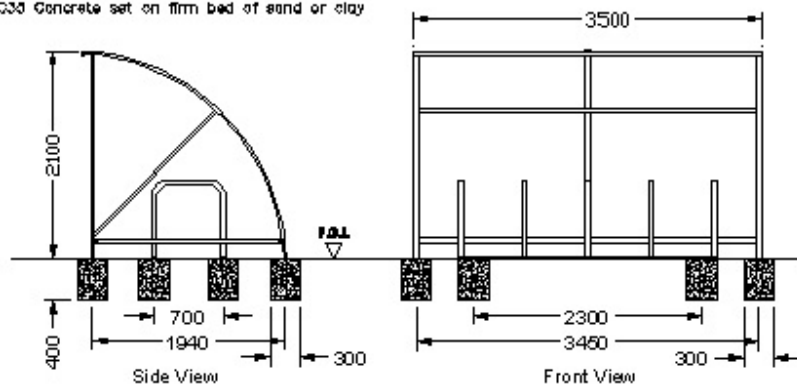
Product information: The Cycle Shelters are made with a mild steel frame and are Plate Mounted Bolt down. The Eco Cycle Shelter is very easy to assemble and is delivered flat pack. The shelter is lightweight yet robust and being galvanised will give maximum protection from rust for many years. This is a full size shelter and will take up to 10 adult cycles. The assembly is very straight forward. The shelters are available in Galvanised finish only however if you want a painted shelter, simply assemble the frame and paint it to the desired colour (leave it to dry) and then fit the sheeting. To hand paint a shelter will only take about 45 minutes.

The Cycle Rack is manufactured with 50 mm diameter tube and is also fully galvanised to BS EN ISO 1461:1999. Complete with flanges for bolting directly to suitable ground surface. Easy to assemble the hoops bolt directly to the ground base bars which are in turn anchored directly to the ground. The bolts for attaching to the rack are supplied with shear off nuts for extra security.



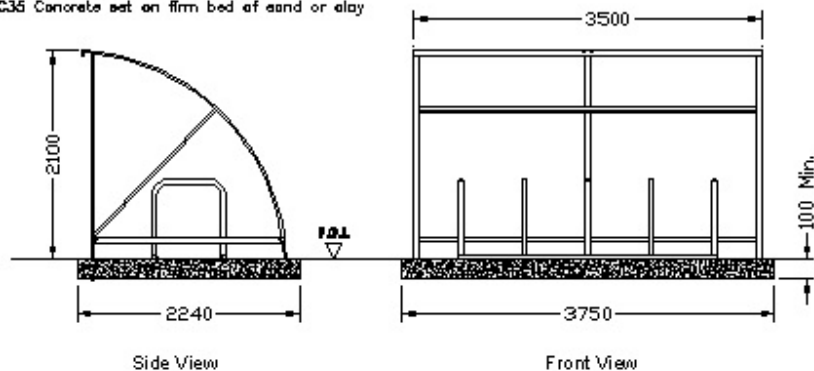
#### Pads Foundations:

C35 Concrete set on firm bed of sand or clay



#### Plinth Foundations:

C35 Concrete set on firm bed of sand or clay



To order this product please telephone 01665577022 or email [sales@urbanfab.com](mailto:sales@urbanfab.com). We will need to know the delivery address including post code along with the billing address if different. Also a site contact with mobile number for the couriers. The shelter is supplied with the end panels fully fabricated along with the support bars. It simply needs to be bolted together and is a straight forward two person job.

We have an animation of the build up please copy and paste the below link into your browser and scroll down to the bottom of the landing page

<http://www.urbanfab.com/products.php?p=77&type=10-Cycle-Eco-Shelter->



**Product Code USP/ES10/5HR**

URBANSHELTERS LTD. REG OFFICE UNIT 12 C VICTORIA ROAD IND ESTATE, HEBBURN, TYNE  
AND WEAR, NE31 1UB. TEL: 01915343211 / 01665577022