

furniture  
designed for the  
urban environment

urban

PROSPECT BUILDING, SHIELD GREEN FARM, TRITLINGTON  
NORTHUMBERLAND. NE61 3DX  
EMAIL: sales@urbanfab.com  
Tel: 0191 5343211



## ECO CYCLE SHELTER RANGE



**Product Name: Eco Cycle Shelter and Rack**

**Product Code: USP/ES12/6HR**

**Size: 4600 mm Long x 2040 mm Wide x 2100 mm High**

**Description: 12 Cycle Capacity Shelter Complete with**

**Sheffield toast rack**

**Price: £ 1558.80 plus Vat**

**Total Price including Vat £ 1870.56**

**Side Panel option Kit £ 302.40 plus Vat Total for side panel kit including vat £ 362.88**

**LEAD TIME EX STOCK 4 TO 5 DAYS**

**Carriage: Free UK Mainland delivery** (other destinations please telephone for a quote)

Product information: The Cycle Shelters are made with a mild steel frame and are Plate Mounted Bolt down. The Eco Cycle Shelter is very easy to assemble and is delivered flat pack. The shelter is lightweight yet robust and being galvanised will give maximum protection from rust for many years. This is a full-size shelter and will take up to 12 adult cycles. The assembly

Shield Green Trading Company Ltd, Prospect Building, Shield green Farm, Tritlington,  
Northumberland  
NE61 3DX  
Registered office as above

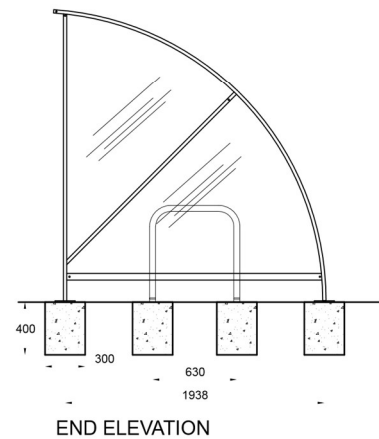
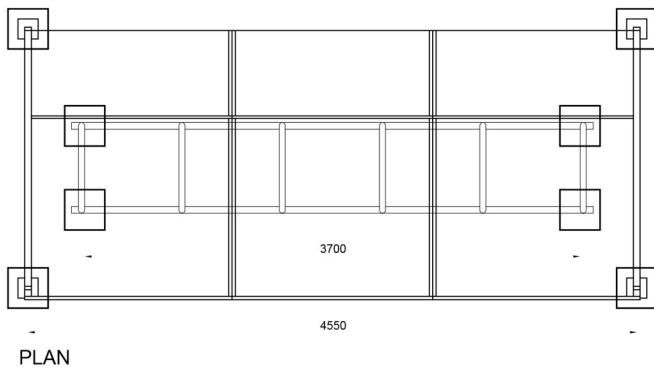


PROSPECT BUILDING, SHIELD GREEN FARM, TRITLINGTON  
 NORTHUMBERLAND. NE61 3DX  
 EMAIL: [sales@urbanfab.com](mailto:sales@urbanfab.com)  
 Tel: 0191 5343211

is very straight forward. The shelters are available in Galvanised finish only however if you want a painted shelter, simply assemble the frame and paint it to the desired colour (leave it to dry) and then fit the sheeting. To hand paint a shelter will only take about 45 minutes.

The Cycle Rack is manufactured with 50 mm diameter tube and is also fully galvanised to BS EN ISO 1461:1999. Complete with flanges for bolting directly to suitable ground surface. Easy to fit and supplied as a full section so no assembly other than ground fixing.

To order this product please telephone 01665577022 or email [sales@urbanfab.com](mailto:sales@urbanfab.com). We will need to know the delivery address including post code and how soon you want delivery. The shelter is manufactured in large sections however assembly is a straight forward two person job.



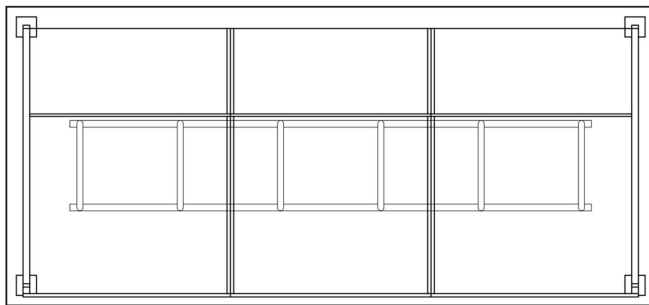
C35 CONCRETE SET ON  
 FIRM BED OF SAND OR  
 CLAY

Shield Green Trading Company Ltd, Prospect Building, Shield green Farm, Tritlington,  
 Northumberland  
 NE61 3DX  
 Registered office as above

furniture  
designed for the  
urban environment

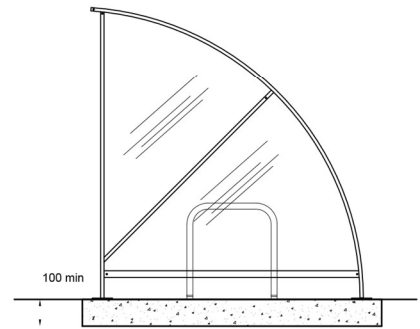
urban

PROSPECT BUILDING, SHIELD GREEN FARM, TRITLINGTON  
NORTHUMBERLAND. NE61 3DX  
EMAIL: sales@urbanfab.com  
Tel: 0191 5343211



PLAN

4850



END ELEVATION

C35 CONCRETE SET ON  
FIRM BED OF SAND OR  
CLAY



Product Code USP/ES12/6HR

Shield Green Trading Company Ltd, Prospect Building, Shield green Farm, Tritlington,  
Northumberland  
NE61 3DX  
Registered office as above