

[Type here]

furniture
designed for the
urban environment



urban
street products

Prospect Building
Shield Green Farm
Tritlington
Northumberland
NE61 3DX

Email: stuart@urbanfab.com
www.urbanfab.com

GATED ECO SHELTER

Product Name: 8 Bike Gated Eco Shelter



Product Code: USP/GS8/4HR

Size: 3100 mm Long x 2000 mm Wide x 2200 mm High

Description: Gated 8 Cycle Capacity Shelter Complete with 4 Hoop Sheffield toast rack and side panels.

Everything you need for a secure Shelter

To order this product please telephone 0191 5343211 or email sales@urbanfab.com.

Product Features

Fully galvanised steel frame

Fully galvanised steel gates featuring perforated galvanised sheeting for extra security along with a central infill section giving a sturdy structure

5 mm galvanised steel locking plates

Comes complete with Polycarbonate clear side and back panels

Price: £ 1882.80 plus Vat

Total Price including Vat £ 2259.36 LEAD TIME EX STOCK 4 TO 5 DAYS

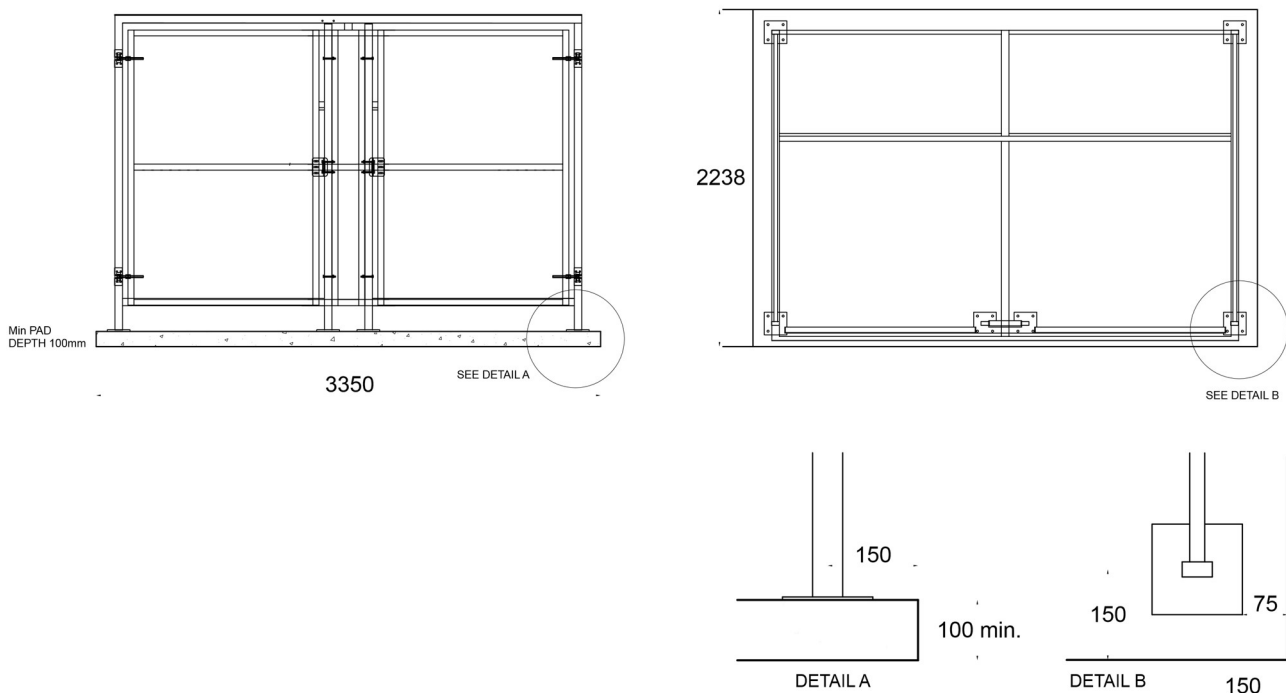
Carriage: Free UK Mainland delivery (other destinations please telephone for a quote)

[Type here]



Product information: The Cycle Shelters are made with a mild steel frame and are Plate Mounted Bolt down. The Eco Cycle Shelter is very easy to assemble and is delivered flat pack. The shelter is lightweight yet robust and being galvanised will give maximum protection from rust for many years. This is a full-size shelter and will take up to 10 adult cycles. The assembly is very straight forward. The shelters are available in Galvanised finish however if you want a Powder coated colour scheme this can be arranged. Any standard RAL colour,

The Cycle Rack is manufactured with 50 mm diameter tube and is also fully galvanised to BS EN ISO 1461:1999. Complete with flanges for bolting directly to suitable ground surface. Easy to fit and supplied as a kit that is very easy to assemble.



[Type here]

furniture
designed for the
urban environment

urban
street products



Prospect Building
Shield Green Farm
Tritlington
Northumberland
NE61 3DX

Email: stuart@urbanfab.com
www.urbanfab.com



Product Code: USP/GS10/5HR

To order this product please telephone **0191 5343211** or email sales@urbanfab.com. We will need to know the delivery address including post code and how soon you want delivery. The shelter is manufactured in large sections however assembly is a straight forward two-person job.

Shield Green Trading Company Ltd t/a Urbanfab.com and Cycleshelters.co.uk Prospect Building, Shield Green Farm, Tritlington, Northumberland, NE61 3DX