

## Trolley Shelter

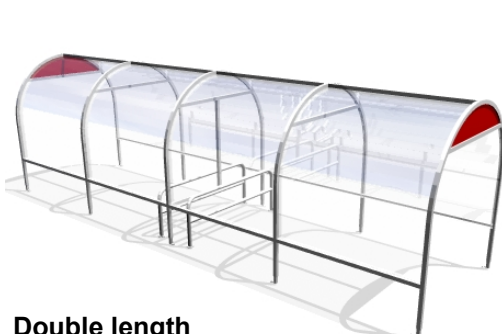
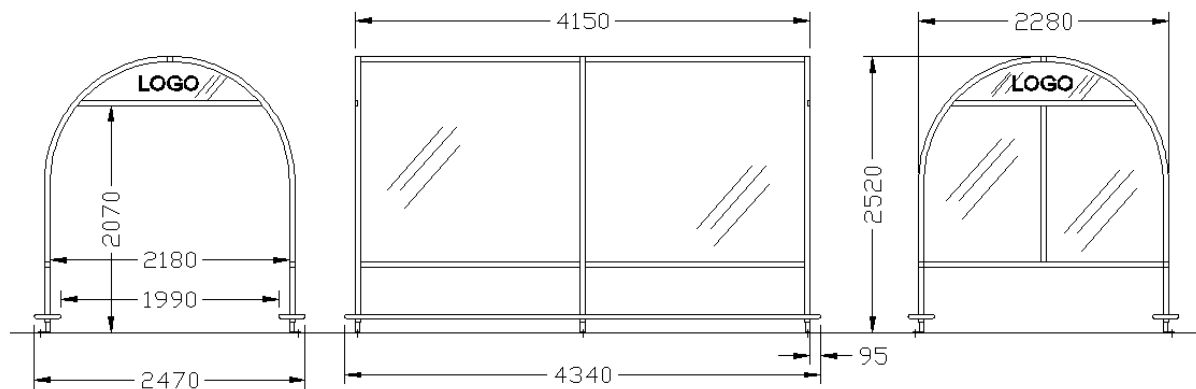


**Single Module with optional Enclosed End panel**

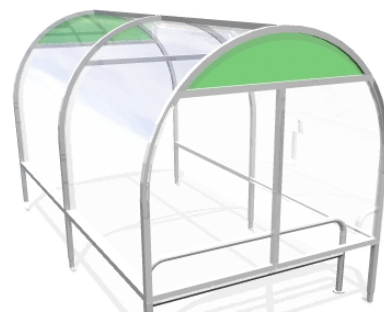


The Urbanfab Trolley Shelter is available in one module size to suit a standard car parking bay. Plate mounted adjustable ground feet. PET(G) UV stable Glazing as standard. Mild Steel frame to BS 1449. Hot dipped galvanised to BSEN ISO 1461 (1999)

- Options:
- Polyester Powder Coated 40-60 micron.
  - Enclosed End panel.
  - Internal Barrier Hoop,
  - Low Bumper rail to protect legs.
  - Coloured Logo Panel with applied Graphics.



**Double length  
Two modules end to end**



**Single Module with optional Enclosed End panel**