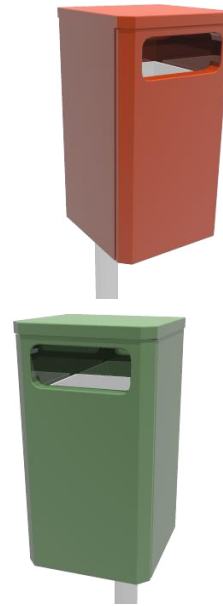


# Lancashire

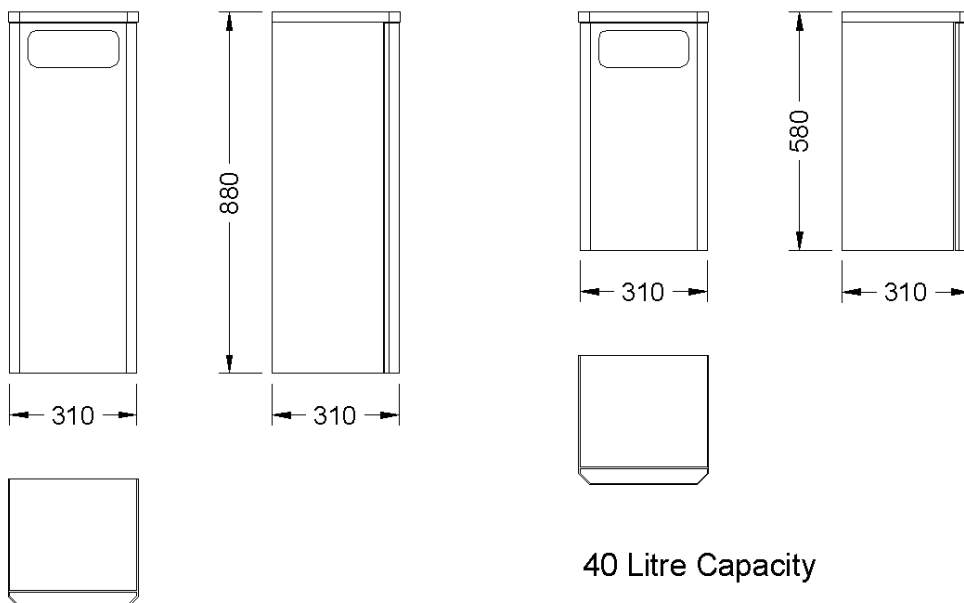
**40 or 60 Litre**



The Lancashire Litter Bin is available with open or enclosed top. (Closed top shown).  
Manufactured from zinc plated mild steel sheet Removable Galvanised waste liner with internal handle. 40 or 60 Litre versions.  
Heavy Duty solid bar hinge with Cabinet key lock or slam lock.  
Post or Wall Mounted bracket options.

Polyester Powder Coated to suit your colour requirements.  
Also Available in Stainless Steel Satin Finish.

Mild Steel to BS 1449.  
Hot dipped galvanised to BSEN ISO 1461 (1999)



60 Litre Capacity