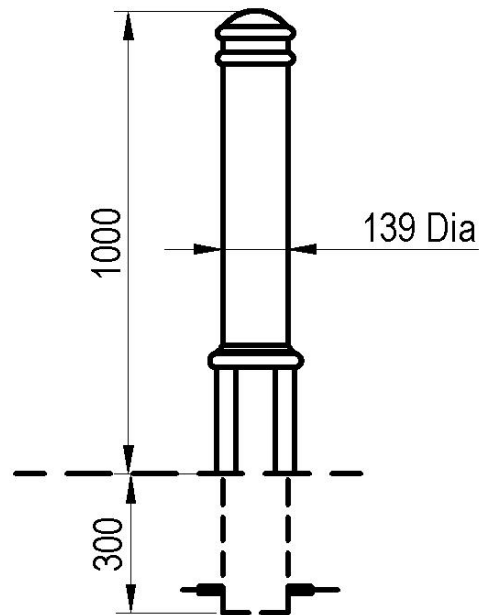


Chatsworth 140

Static



The Chatsworth 140 decorative Bollard features a Domed top with two 25mm deep bands and a hexagonal section base. More robust and impact resistant than cast steel.

Mild Steel to BS 1449.
Hot dipped galvanised to BSEN ISO 1461 (1999)
Polyester Powder Coated 40-60 micron.

Mounting options: 'Root Mounted' or 'Plate Mounted'.

