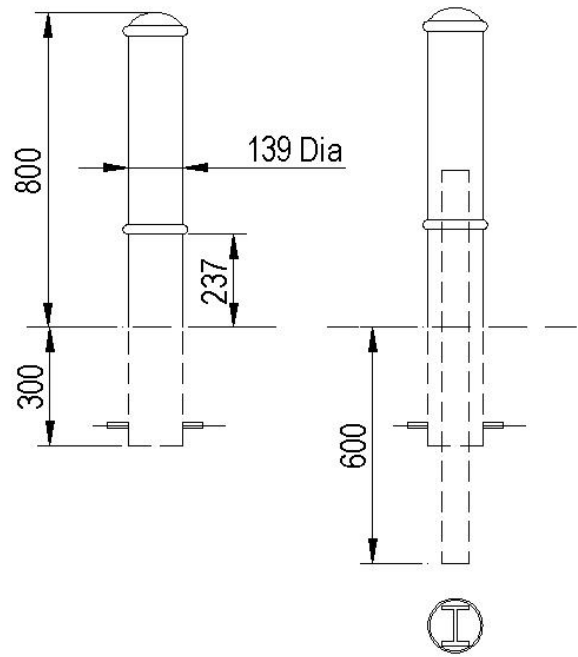


Catterick 140

Static



Anti Ram (Option)

The Catterick140 decorative Bollard features a Domed top with two 25mm deep bands. More robust and impact resistant than cast steel.

Mild Steel to BS 1449.
Hot dipped galvanised to BSEN ISO 1461 (1999)
Polyester Powder Coated 40-60 micron.

Mounting options: 'Root Mounted' or 'Plate Mounted'.
High Impact Anti-Ram Root option.

